



KERNLOCHBOHRER[®]
PROFESSIONAL POWER TOOLS



Operating instructions

Vacuum pump VP-113/PRO

Kernlochbohrer GmbH
Geigersbühlweg 52
72663 Großbettlingen
Tel. 07022-5034900
E-Mail: info@kernlochbohrer.com

Version 0 1. Output 05/2023

Content

Introduction	3
About this guide	3
Note	3
Safety regulations	4
Commissioning	6
Attention	6
Technical data	7
Product description	7
Use with a vacuum base plate	8
Environmental protection	9
Warranty	10
EC Declaration of Conformity	11

Introduction

Thank you for choosing the VP-113/PRO vacuum pump from Kernlochbohrer GmbH. This is a high-quality product based on state-of-the-art technology. We hope that this device is to your satisfaction and meets your expectations. We are constantly striving to improve our products in our product segment and will continue to supply the market with new equipment.

Our company declines all responsibility in the event of violations of the operating instructions that may lead to injuries or machine damage. In addition, all currently applicable regulations of the Accident Prevention Regulations (UVV) and the Employer's Liability Insurance Association (BG) must be observed.

About this guide

These operating instructions are for the model
VP-113/PRO

Check the machine model against the type plate.



Note:

Read the entire instruction manual carefully before using the vacuum pump. Special attention should be paid to the section "Safety precautions".

Kernlochbohrer GmbH reserves the right to change the design and appearance of the products and their operating instructions. Future changes to the operating instructions will be made without prior notice.

Safety regulations

- ❖ Read all precautions before commissioning and keep the operating instructions.
- ❖ Please follow the operating instructions carefully, as failure to observe these safety precautions and instructions may cause electric shock, fire and/or serious injury.

1. Check the unit, cables and plugs before each use. Only have damage repaired by a specialist.
2. Only insert the plug into the socket when the machine is switched off.
3. This appliance is not intended for use by persons (including children) with reduced physical, sensory or mental capabilities, or lack of experience and/or knowledge, unless they have been given supervision or instruction concerning use of the appliance by a person responsible for their safety. Children should be supervised to ensure that they do not play with the appliance.
4. If the mains connection cable is damaged, the unit must no longer be used.
5. Please ensure that the mains connection cable is not damaged by being driven over, squeezed, tugged and the like.
6. Couplings of mains connection or device connection cables must be at least splash-proof.
7. The unit must be connected to a line protected by a circuit breaker or a fuse with the minimum current rating of 16A.
8. Do not operate the appliance including accessories if: the unit shows visible damage, the mains connection cable is defective or shows cracks or ageing, there is suspicion of an invisible defect (after a fall).

9. No liability is accepted for any damage caused by misuse, improper operation or improper repair.
10. There is a risk of electric shock if the appliance earth conductor is not connected properly. Consult a qualified electrician or service person if in doubt about whether the socket is properly earthed. Do not modify the plug supplied with the appliance. If it does not fit into the socket. Have a suitable socket installed by a qualified electrician.
11. Note that the voltage must not exceed $\pm 5\%$ of the nominal voltage. Higher voltages can cause irreparable damage. Note that higher voltage peaks are not generated when operating the machine via a generator.
12. Do not use the unit with a damaged cable or plug. If the unit is not working properly, has been dropped or damaged, is outdoors or has fallen into water. Make sure it is repaired by a qualified person.
13. Do not pull or carry the cable, use the cable as a handle, close a door on the cable or pull the cable around sharp edges or corners. Do not let the appliance run over the cable. Keep the cable away from hot surfaces.
14. Do not pull the plug out of the socket by the cable. Do not hold the plug by the cable to unplug it.
15. Do not handle the plug or the unit with wet hands.
16. Check the cable and plug regularly for damage. If the cable is damaged, it must be replaced by a qualified person to avoid danger.
17. When using an extension cable, make sure that the extension has the same cross-section as the supply line of the vacuum pump.

Commissioning

Check the voltage indicated on the rating plate on the bottom. Make sure it matches the line voltage of the socket you want to use.

Install the unit in a clean, dust-free and ventilated area below 40°C.

Before activating the vacuum function, connect the pump inlet with a high-pressure hose to the vacuum outlet of the unit to be connected.

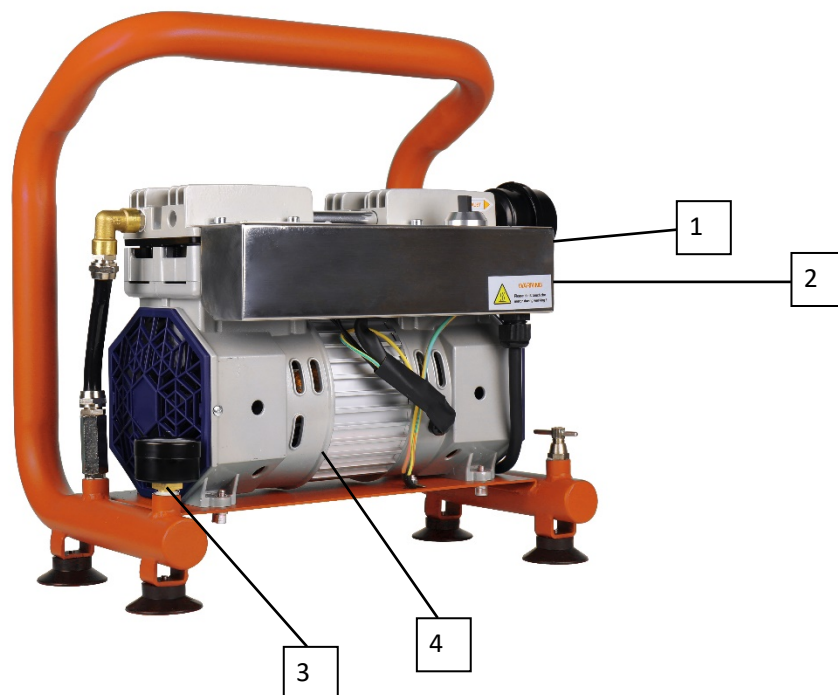
Attention

1. The pump is not protected against corrosion. Please do not operate it directly with corrosive gases.
2. The screw filter is used to absorb moisture and dust. Please replace the filter when it is saturated to maintain the max. pumping capacity.
3. If the pump does not work when restarting during operation, release the vacuum and switch it on again. Otherwise, the motor may be overloaded and damaged.
4. This pump has a thermal switch that automatically switches it off in case of overheating or lack of voltage.
5. Do not touch the pump during operation or shortly after operation as the motor is very hot. (70~80°C)
6. Do not use lubricants that can damage the pump.
7. Only use the pump in a dry, clean and well-ventilated place.
8. Do not spray highly flammable and explosive materials.
9. If the supply cable is damaged, it must be replaced by the manufacturer, customer service or a trained electrician.

Technical data

Voltage	230 V/50 Hz
Power	430 W
Air flow	113 L/min
Speed	1440 1/min
Amper	3.6A
Max. Pressure	-0.09MPA
Weight	14.3kg

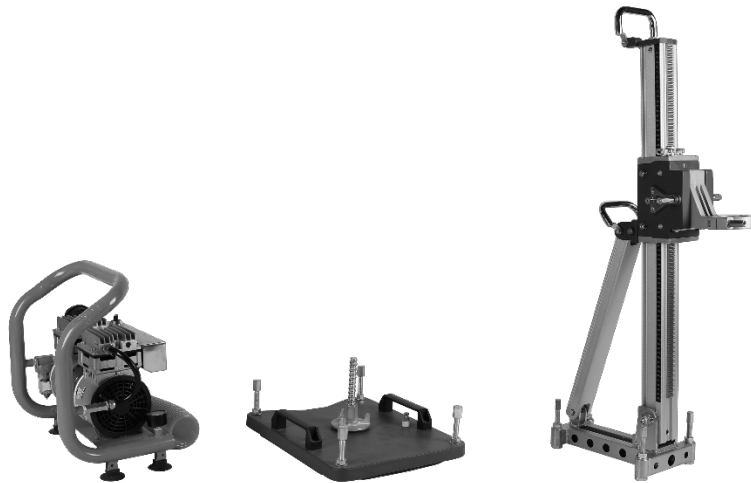
Product description



1. Exhaust silencer
2. Air hose quick connector (not visible on the picture)
3. Vacuum manometer
4. Vacuum pump

Use with a vacuum base plate

Please prepare all necessary tools, including vacuum pump, vacuum hose, vacuum base plate and adjustment tool.



Use adjustment tools to mount the core drill rig on the vacuum base plate.



Connect vacuum pump to vacuum base plate with vacuum hose.



Now switch on the vacuum pump to test the function.

Please read and observe the operating instructions for the vacuum base plate. Depending on the manufacturer, the operation may differ slightly.

Environmental protection

Raw material recovery instead of waste disposal!

To avoid transport damage, the unit must be delivered in sturdy packaging. Packaging as well as the unit and accessories are made of recyclable materials.

The plastic parts of the unit are labelled according to the material. This enables environmentally friendly, sorted disposal via the collection facilities offered.

Only for EU countries

Do not throw power tools in the household waste! According to the European Directive 2012/19/EU on waste electrical and electronic equipment and its implementation in national law, used power tools must be collected separately and recycled in an environmentally sound manner.

Warranty

In accordance with our general terms and conditions of delivery, a warranty period of 12 months applies for material defects in business transactions with companies (proof by invoice or delivery note). Damage caused by natural wear and tear, overloading or improper handling shall remain excluded from this. Damage caused by material or manufacturer defects shall be remedied free of charge by repair or replacement. Complaints can only be accepted if the device is sent to the supplier unassembled.

EC Declaration of Conformity

The manufacturer/marketer
Kernlochbohrer GmbH
Geigersbühlweg 52
72663 Großbettlingen
hereby declares that the following product

Product designation: Vacuum pump

Typ: VP-100/PRO
VP-113/PRO

complies with all relevant provisions of the applied legal regulations (hereinafter) - including their amendments in force at the time of the declaration. The sole responsibility for issuing this declaration of conformity lies with the manufacturer. This declaration relates only to the machine in the condition in which it was placed on the market; parts and/or interventions subsequently fitted by the end user are not taken into account.

The following legislation was applied:
Machinery Directive 2006/42/EG
EMC Directive 2014/30/EU

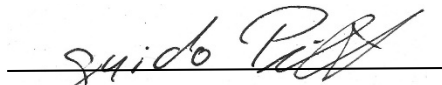
The following harmonised standards were applied:

EN ISO 12100:2010	Safety of machinery - General principles for design - Risk assessment and risk reduction (ISO 12100:2010)
EN 1012-2:1996+A1:2009	Compressors and vacuum pumps - Safety requirements - Part 2: Vacuum pumps
EN 60204-1:2018	Safety of machinery - Electrical equipment of machines - Part 1: General requirements
EN 61000-6-1:2007	Electromagnetic compatibility (EMC) - Part 6-1: Generic standards - Immunity for residential, commercial and light-industrial environments
EN 61000-6-3:2007+A1:2011	Electromagnetic compatibility (EMC) - Part 6-3: Generic standards - Emission for residential, commercial and light-industrial environments

Name and address of the person authorised to compile the technical file:

Kernlochbohrer GmbH
Geigersbühlweg 52
72663 Großbettlingen

Place: Großbettlingen
Date: 17.05.2023



Guido Pillat, Chief Executive